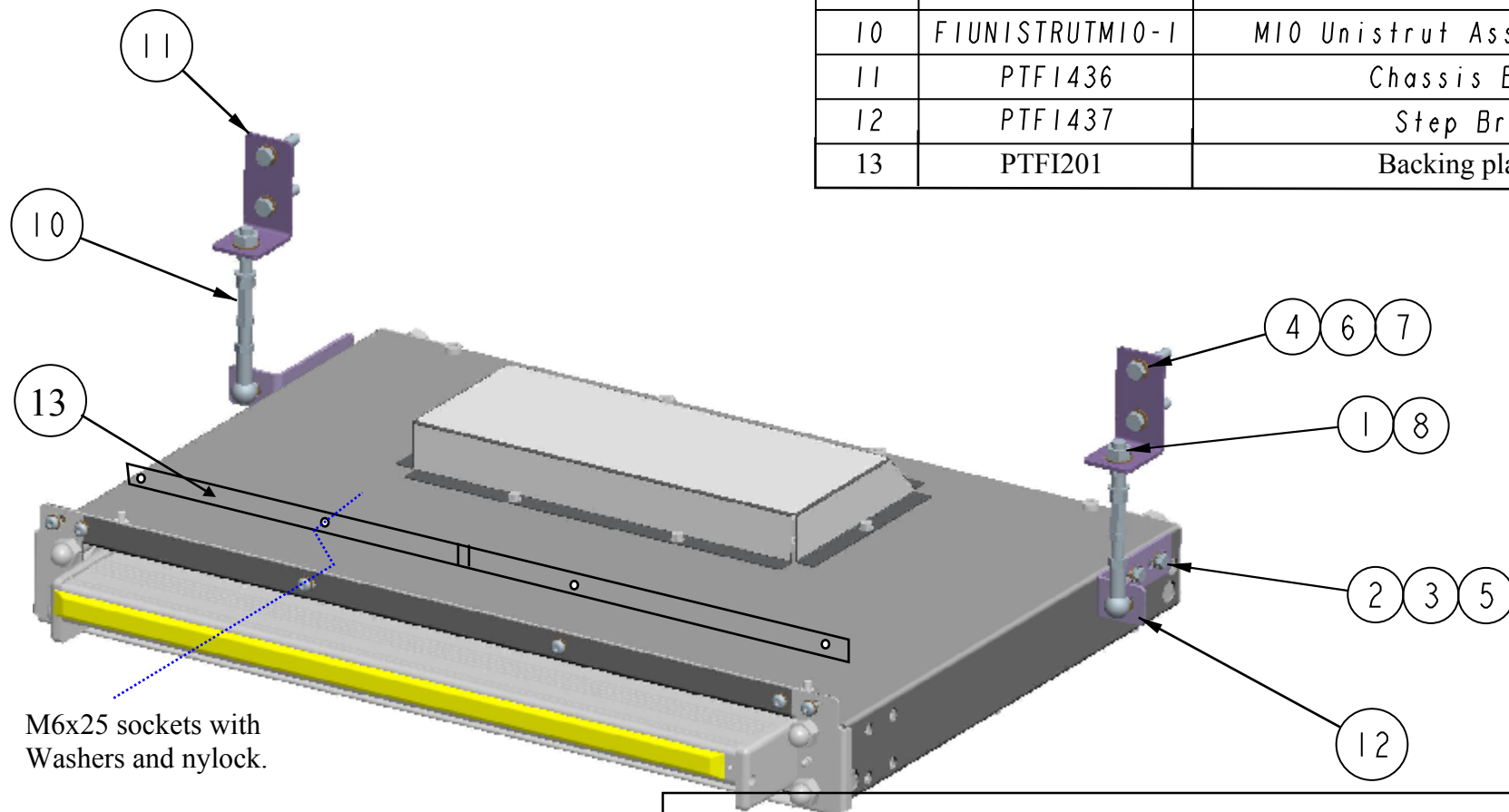


FIEXMS2S
 Mercedes Sprinter / VW Crafter
 2007 onwards
 All Wheelbases
 EU & UK Side Door
 EX600, 750, 1000, 1200

ITEM	PART No.	DESCRIPTION	QTY
1	4010006	M10 Nyloc Nut	4
2	4010017	M6 x 12 Setscrew	4
3	4010035	M6 Plain Washer	16
4	4010036	M8 Plain Washer	4
5	4010037	M6 Shakeproof Washer	4
6	4010064	M8 Shakeproof Washer	4
7	4010072	M8 x 40 Setscrew	4
8	4010142	M10 Plain Washer	4
9	4010153	M8 Rivnut	4
10	FIUNISTRUTM10-1	M10 Unistrut Assy (no toggle)	2
11	PTFI436	Chassis Bracket	2
12	PTFI437	Step Bracket	2
13	PTFI201	Backing plate	2



M6x25 sockets with Washers and nylock.

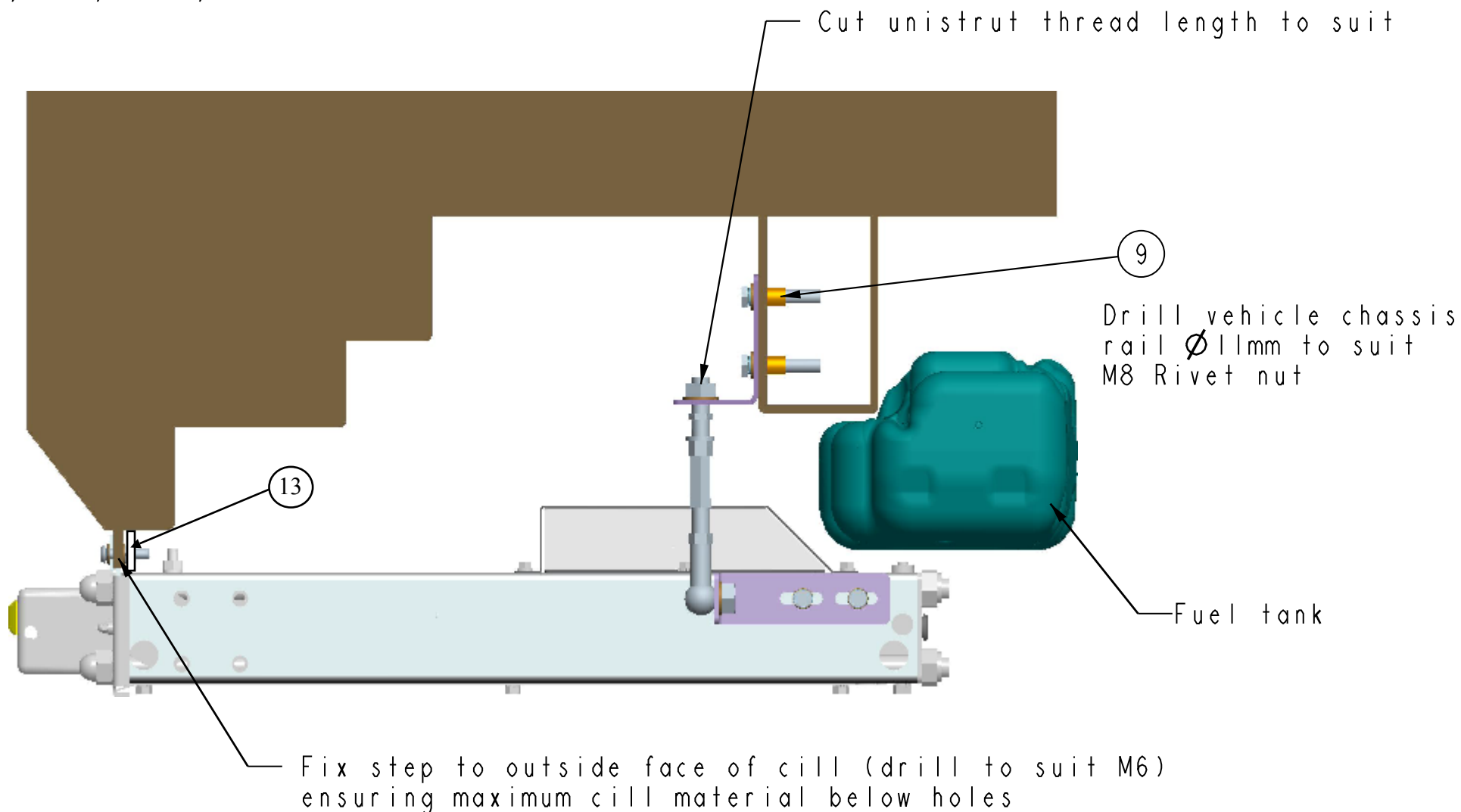
FKMS21NSREXE1000

AVS FITTING INSTRUCTIONS

FIEXMS2S
Mercedes Sprinter / VW Crafter
2007 onwards
All Wheelbases
EU & UK Side Door
EXB600, 750, 1000, 1200

AVS FITTING INSTRUCTIONS

FKMS21NSREXE1000



Note:
Space between step & fuel tank approx 15mm
IMPORTANT - The step MUST NOT be fitted touching the tank