

# AVS

Parts list for:

Ford Transit SWB  
Front wheel drive

Item	Qty
LH front Bracket	1
RH front Bracket	1
Rear step Bracket (multi holed)	1
Rear chassis Bracket	1
Toggle fitting	2
M8 x 25	4
M8 washer	12
M8 x 15	2
M8 nylock	8
M8 plain nut	2
M6 x 12 (in step)	6
M6 washer	14
M6 spring washer	6
M6 x 25 button/allen head	4
M6 nylock	4

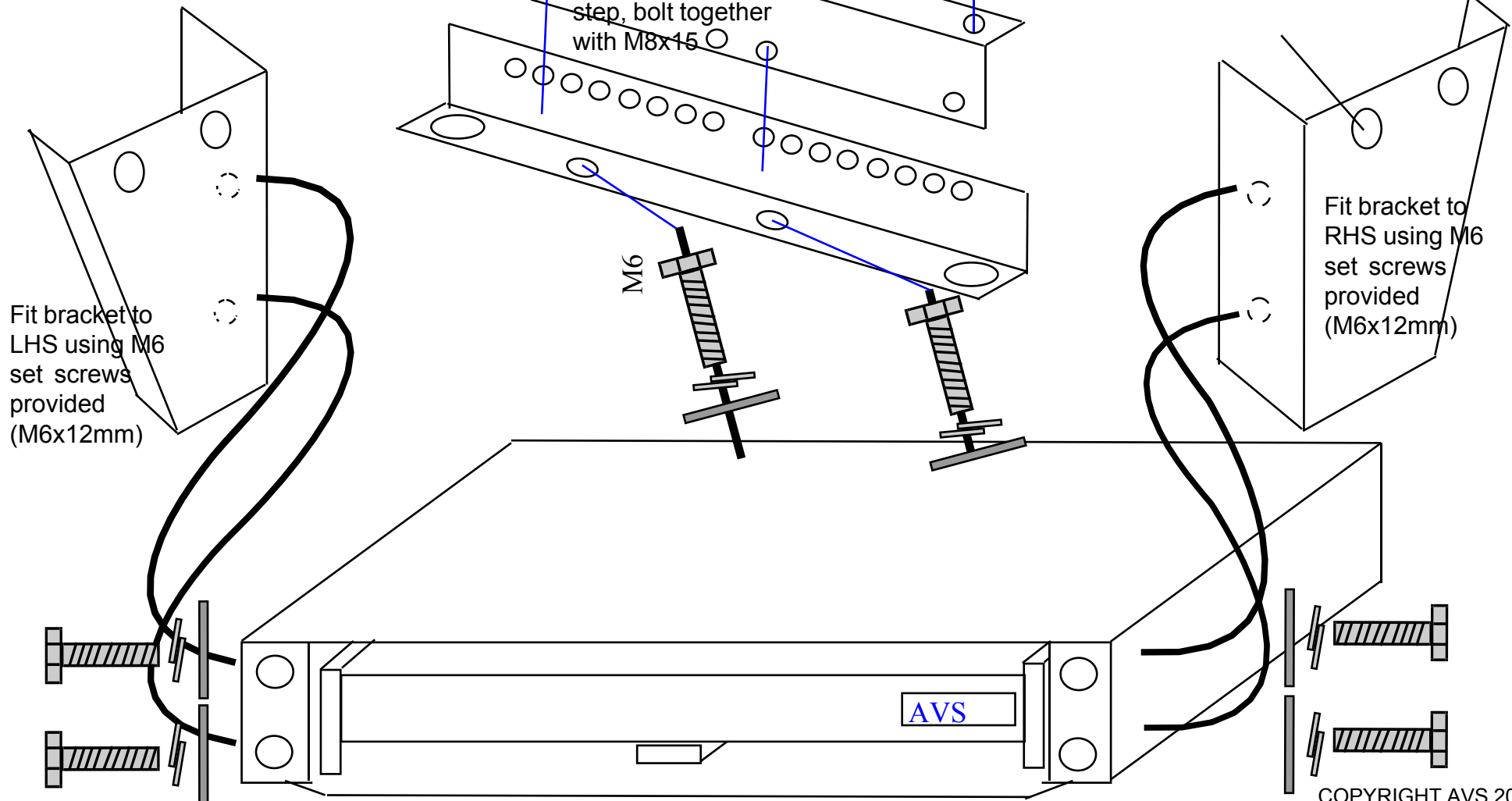
All AVS fitting kits are double checked before despatch. Please report any shortages within 3 days of delivery and AVS will ensure a prompt response.

Updated April 04

# AVS

Fitting instructions for TM600C and TE600 to Ford Transit SWB Front Wheel Drive passenger side entrance only.

PAGE 1 of 2  
READ ALL  
INSTRUCTIONS



# AVS

1. Bolt top bracket with toggles to EXISTING holes in vehicle chassis
1. Bolt remaining brackets provided to step using M6 set screws already fitted to step. DO NOT USE LONGER BOLTS!
2. Position step against chassis and move into desired position front/back ready to drill cill.
3. Align with holes in chassis brackets and bolt step to chassis bracket.
4. After checking step is level, drill M8 clearance in cill for front brackets.
5. Position step and bolt into place onto cill.
6. Tighten all bolts taking care not to distort cassette.

