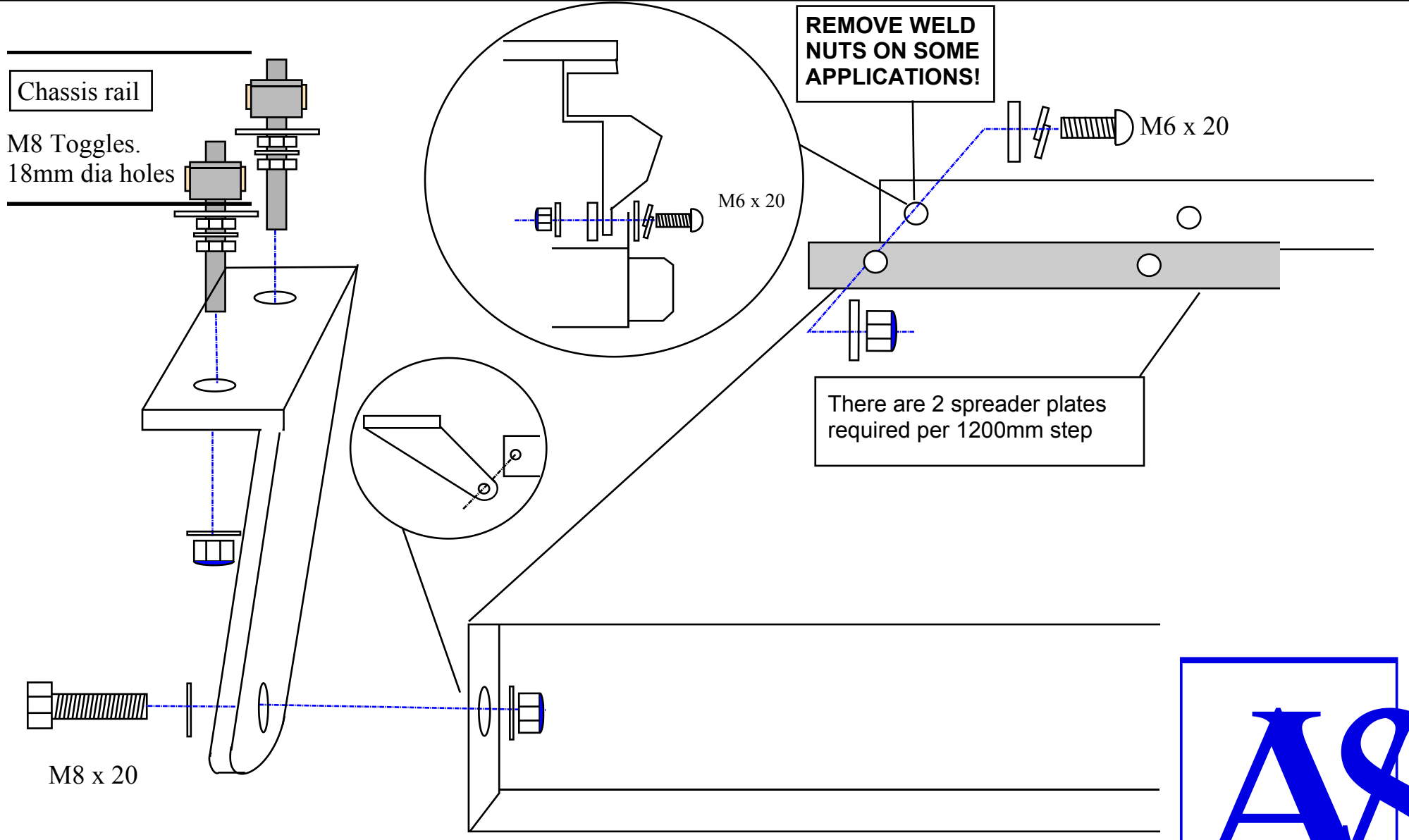


Chassis rail

M8 Toggles.  
18mm dia holes



REMOVE WELD NUTS ON SOME APPLICATIONS!

M6 x 20

M6 x 20

There are 2 spreader plates required per 1200mm step

M8 x 20

M8 x 20

FITTING INSTRUCTION for:  
Renault Master and Vauxhall Movano  
AVS STKE1200BZ  
LEFT HAND DRIVE 1-6-03

