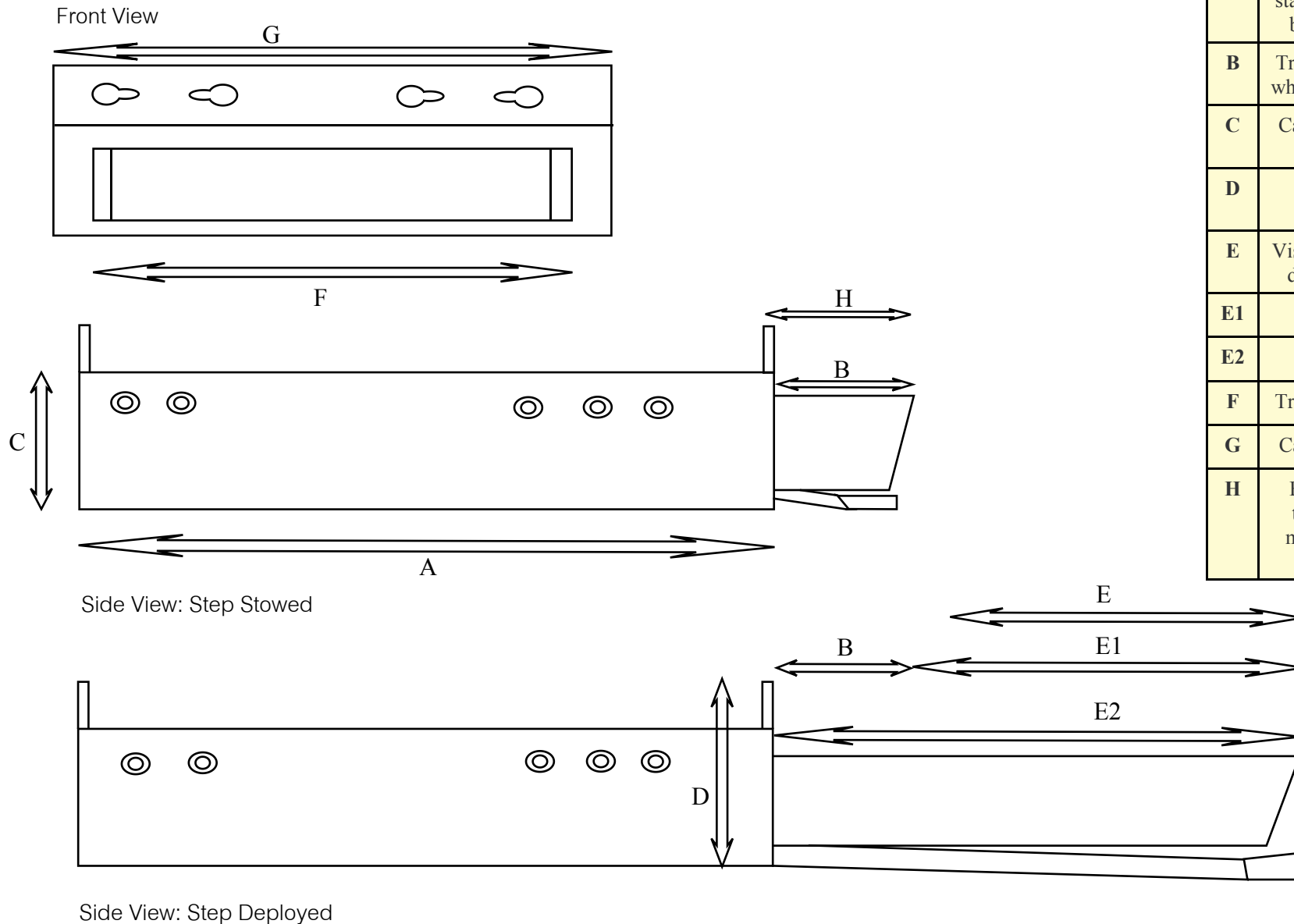


EXM600RD: Deep Tread Manual



	Description	MM	Inches
A	Case depth to start of visible tread	545	21 7/16
B	Tread depth when stowed	86	3 3/8
C	Case thickness	64	2 1/2
D	Overall Height	86	3 3/8
E	Visible tread deployed	300	11 13/16
E1	Reach	263	10 3/8
E2	E1 + B	349	13 6/8
F	Tread width	863	34
G	Case width	653	25 3/4
H	Front of tread to mounting point 1	86	3 3/8

(Drawings are NOT to scale)