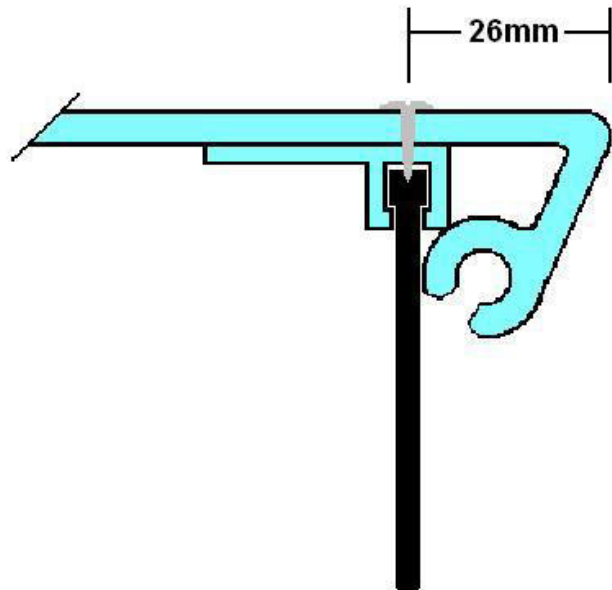




# AVS Steps



1. Deploy step
2. Measure 26mm in from front of tread and 40mm from side
3. Place Aluminium holder (with rubber insert fitted) in position under tread and drill through using a 3.2mm bit
4. Secure in position with 2 self tapping screws