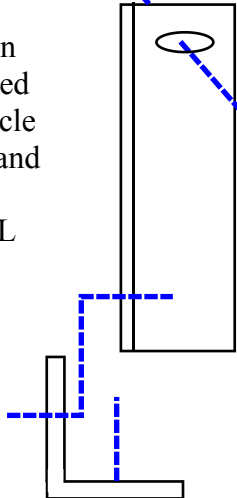
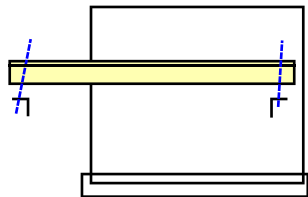




AVS Fitting Kits
 Renault Mster EE600BZ
 Side Door
 To fit E600C
 @ Copyright AVS 2003

① Attach X-member to M8 studs in step case. Use M8 x 25 to attached uprights to X member and vehicle stringers. Lift up below vehicle and align with stringers. **DO NOT TIGHTEN ANY BOLTS UNTIL FITTING IS COMPLETE**



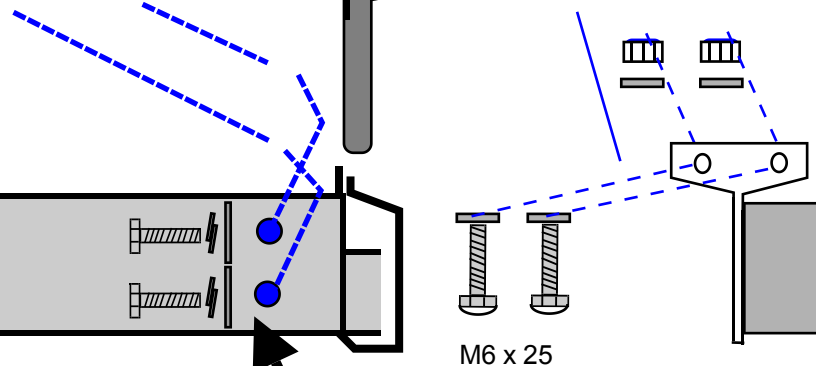
IMPORTANT NOTE

The E600C and TE/M600C must be mounted on the end fittings using the triangular brackets provided. **DO NOT** fit to cill using any other method. Warranty will be invalidated.

Fit bracketto LHS using **M6 x 12** set screws

②

Brackets at both end bolt-up **behind** cill lip



AVS E/T600C

STEP HEIGHTS: In general is is recommended that the step from ground to the new AVS step is 1" (25mm) above the half way point to the next step. For example if the overall step height were 18" The AVS step should be set at 9.5" leaving a 8.5" second step on an unloaded vehicle.

NOTE: Additional parts may be required at extra cost to enable the step to be fitted to some vehicles. The Universal kit is designed to allow AVS steps to fit to as many vehicles as possible. However dropper plates or extended struts or other items may be required in some cases. AVS are unable to ensure that the universal kit alone will fit all vehicles.

